

# INSTALLATION MANUAL



## IRBug™, IRFlood™, TB-T, TB-S & TB-D, TB-HS & TB-HD

### SPECIFICATIONS

Connector:	Screw-type, 2 wire
Mounting:	IRBug: Directly to the front panel of each A/V component IRFlood: Mount in front, above, below or to the side of components, can flash 2 or 3 units. TB-T: Table top version TB-S & TB-D, TB-HS & TB-HD: Fit most standard junction boxes.
Range:	10 -15 feet +, "H" models 30 - 40 feet.
Angle:	+/-20-30 degrees off nominal axis. +/- 50-60 degrees off axis.
Wire:	Use conventional unshielded "zip" or telephone wire.

### OPERATION

These units are designed to act as remote repeaters of infrared controllers. They receive a signal from an IRTarget™ or IRStation™ and mimic that signal to the device being controlled. This allows operation of any unit from any room in a structure equipped with IRTargets.

### INSTALLATION

**CAUTION:** Take care to make sure that this unit is NOT IN THE LINE OF SIGHT OR REFLECTION with one of the IRTarget. If radiation from the repeater is picked up by a system sensor, a feedback situation is created which will result in instability and unreliable operation. Undesirable reflection can occur off the light colored walls, windows, mirrors, even shiny wood finishes.

Any standard type wire can be used. These repeaters use 2 wires, so regular "zip" cord or telephone wire will be satisfactory. Shielded or coaxial cable is not usually required unless the wire runs through some unusually high electrical interference regions.

Be sure to observe polarity. These repeaters will not function if the wires are reversed.

**NOTE:** The TB-H series are high intensity units meant for larger rooms, or where the gang box is mounted severely off-angle. Each unit contains 3 LED's which can be aimed by manually repositioning them. Please, do so with care.

### WARRANTY

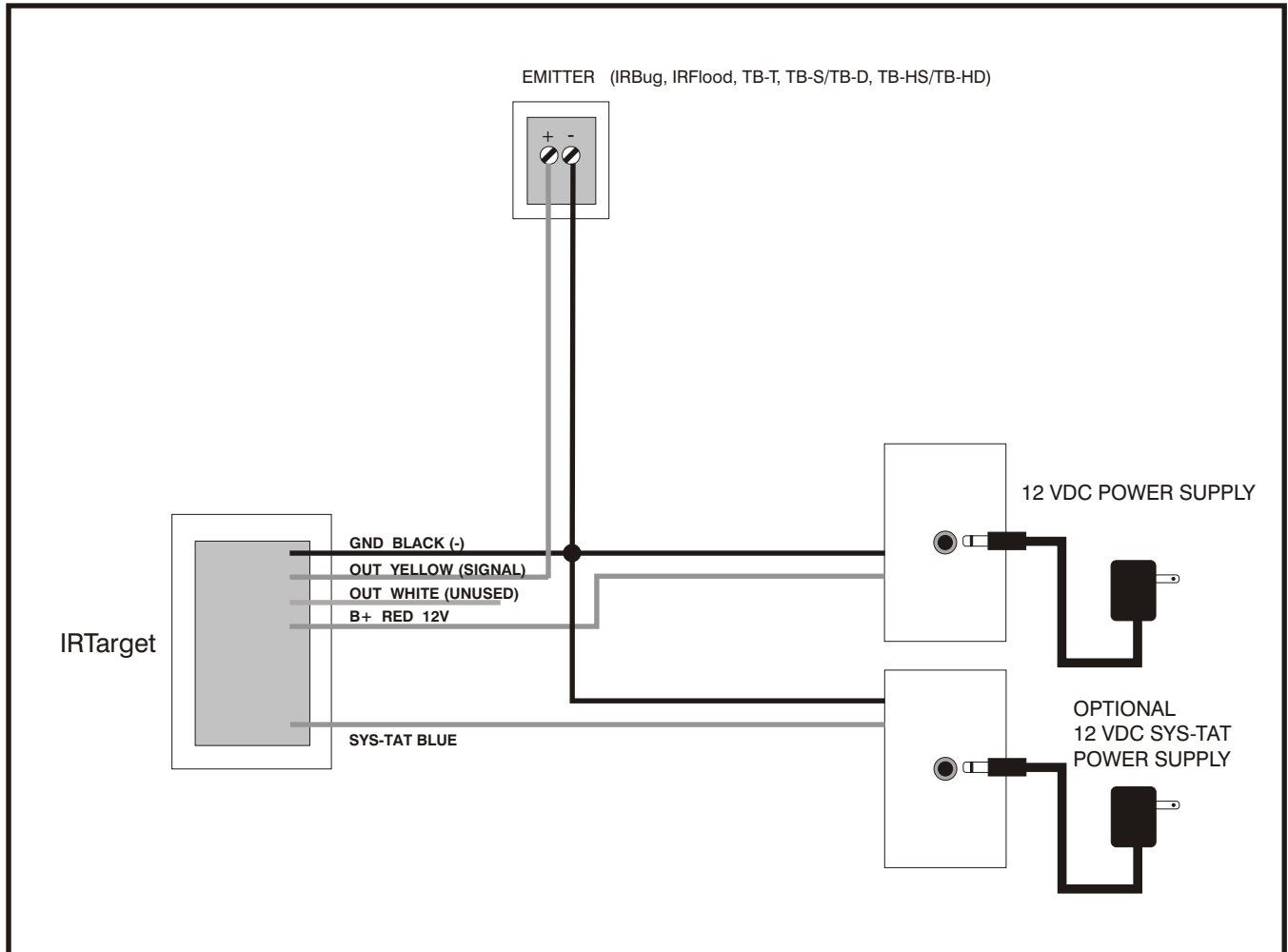
Your AUDIOPLEX TECHNOLOGY® Repeater is covered by a LIFETIME warranty against any defects in workmanship and materials. Any defects will be remedied without charge for labor or parts.

Damage incurred by shipping or accident is not considered to be a defect, and not covered by this warranty. AUDIOPLEX TECHNOLOGY®, is not responsible for defective operation caused by abuse or by modification or service by any unauthorized person or agency.

The unit must be properly installed and operated according to instructions for the warranty to apply. Any necessary servicing must be done by AUDIOPLEX TECHNOLOGY®. The products must be returned expenses prepaid, with written authorization from the company. The unit must be shipped with the proof of purchase and in the original carton and packing materials to avoid damage.

This warranty gives you specific legal rights. You may have other rights which vary from state to state.

## WIRING DIAGRAM



© 2000 - 2/3/00

**AUDIOPLEX TECHNOLOGY®**  
404 GWH P.O. BOX 440  
MELVIN VILLAGE, N.H. 03850  
1-800-257-2077 IN N.H. 1-603-544-8601  
FAX: 1-603-544-8901