

Warranty

Multiplex Technology, Inc. warrants this product to be free from defects in materials and workmanship for a period of one year from the date of purchase or MTI will repair, or at its option, replace the defective product. To obtain warranty service, call MTI for a return material authorization (RMA) number and return the product prepaid to Multiplex Technology, Inc., 3001 Enterprise Street, Brea, CA 92821, Attention: Customer Service. Please put the RMA number on the outside of the carton.

Any implied warranty arising from the sale of the product including implied warranties of merchantability and fitness for purpose are limited to the warranty stated above. MTI shall not be responsible for losses or damages or expenses, whether direct, consequential or incidental arising from the use of or the inability to use this product. Some states do not allow limitations on how long the implied warranty lasts or the exclusion or limitation or incidental or consequential damages, so the above limitations and exclusions may not apply to you. This warranty gives you specific legal rights, and you may have other rights which may vary from state to state.

SAFETY INFORMATION:

- A) Never install telephone wiring during a lightning storm.
- B) Never install telephone jacks in a wet location.
- C) Never touch uninsulated telephone wires or terminals unless the telephone line has been disconnected at the network interface.
- D) Use caution when installing or modifying telephone lines.

IMPORTANT INSTRUCTIONS:

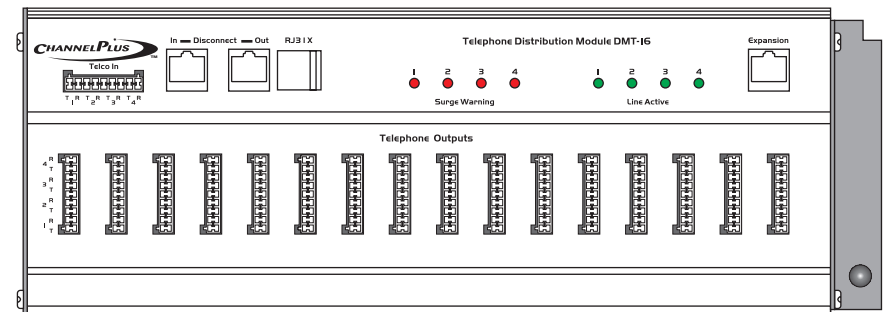
When you use your telephone equipment, basic precautions should always be followed to reduce the risk of fire, electric shock and injury to persons, including the following:

- 1. Read and understand instructions.
- 2. Do not use this product near water, for example, near a bathtub, wash bowl, kitchen sink, or laundry tub, in a wet basement, or near a swimming pool.
- 3. Never push objects of any kind into this product through cabinet slots as they may touch dangerous voltages.
- 4. Use on UL listed cabinets like the H218A or H236A.

SAVE THESE INSTRUCTIONS



Telephone Distribution Module



Model DMT-16

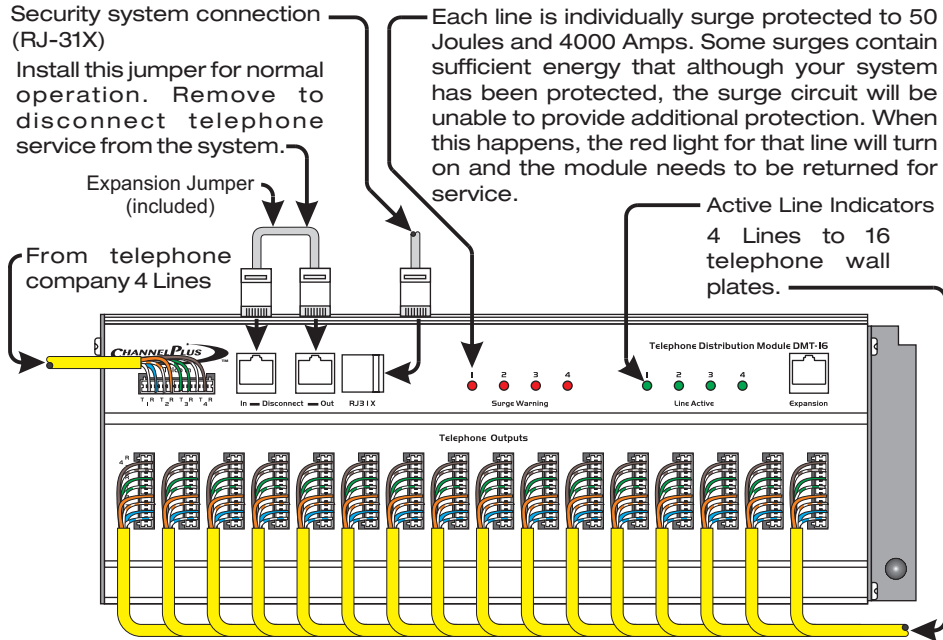
Designed for
ChannelPlus and OpenHouse
structured wire grid systems.



3001 Enterprise Street, Brea, CA 92821-6213, U.S.A.
714-996-4100 800-999-5225 Fax 714-996-4900 www.channelplus.com

Typical Installation

Included: (1) Expansion Jumper 24". (2) Flat Surface Mounting Ears.
(1) Disconnect Jumper (66) Labels



Telephone Distribution Module DMT-16

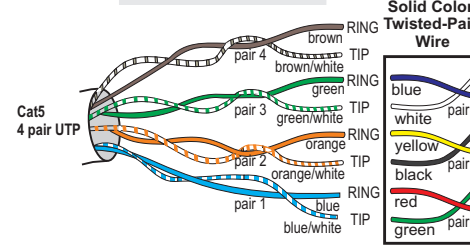
Back Door	Bedroom 4	Dining Room	Guest House 2	Master Suite 2	Office 3
Basement	Bedroom 5	Family Room	Guest Room	Master Suite 3	Patio
Bathroom	Bedroom 6	FAX	Guest Room 1	Master Suite 4	Play Room
Bathroom 1	Bedroom 7	FAX 2	Guest Room 2	Media Center	Pool House
Bathroom 2	Children's Room	Fitness Center	Hall	Media Center 1	PVR
Bathroom 3	Children's Room 1	Front Door	Hall 2	Media Center 2	PVR 1
Bat Phone	Children's Room 2	Game Room	Kitchen	Modem	Satellite
Bedroom	Children's Room 3	Garage	Laundry Room	Modem 2	Satellite 1
Bedroom 1	Children's Room 4	Garage 2	Living Room	Office	Satellite 2
Bedroom 2	Den	Guest House	Master Suite	Office 1	Satellite 3
Bedroom 3	Den 2	Guest House 1	Master Suite 1	Office 2	Satellite 4

Example

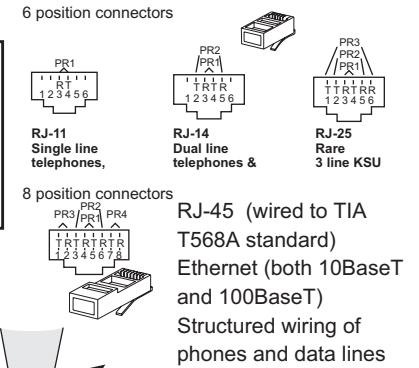


Label Card: Separate and slide labels into extrusion, or flip the label over for a blank surface.

Wire Color Codes

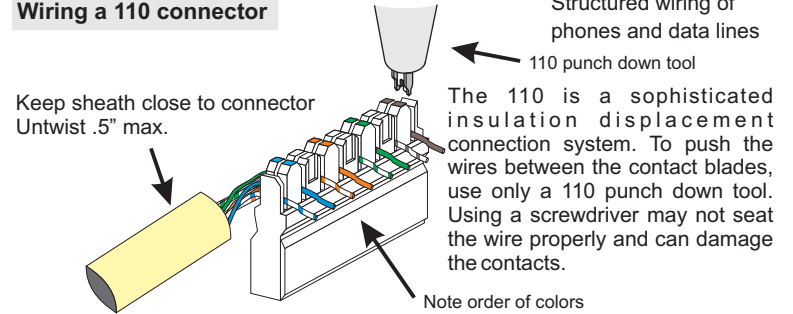


Modular connectors



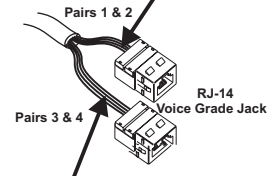
Wiring a 110 connector

Keep sheath close to connector
Untwist .5" max.



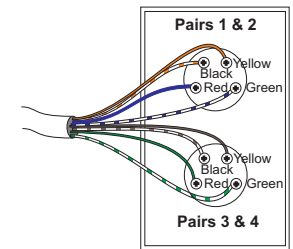
Wiring a telephone wall plate

Cable Color	Pin #	Connector
White/Orange	Pin 1	N/C
Blue	Pin 2	Blue
White/Orange	Pin 3	Blue



Cable Color	Pin #	Connector
White/Brown	Pin 1	N/C
White/Orange	Pin 2	Blue
Green	Pin 3	Blue

Option: old style wall plate



Wiring a Cat-5 jack

