

* Try these other fine ELK products *

Magic Module Series

- MM443** Magic Module, 4 Input, 4 Output, Programmable
- MM447** Automation Controller w/Voice, Caddx Interface
- MV480** Recordable Voice Module, 400 Channels
- MKHOME1** Home Control Kit for Caddx NX Controls
- MK400** Starter Kit, Includes MM443 & MK485
- MK485** Programming Kit, MB485, Cables, Software
- MK410** X-10[®] Transceiver Kit, Programmed MM443
- MK420** iButton™ Access Kit w/ MM443, MA100, MA101
- MA100** iButton™ 'Touchkey' Reader & Interface Pack
- MA101** iButton™ 'Touchkeys', 10 pcs w/keyring holders
- MA290** Proximity / Wiegand Data Interface to MM443
- MB485** Data Bus Interface, RS232 to RS485
- MC100** Clock / Calendar Module for MM443
- ML8** Link Interface to Caddx NX Controls
- MT100** Temperature Sensor Module for MM443
- MM220** Magic Module, 2 Input, 2 Output, Programmable

Rust Free Sirens / Speakers

- 1RT** Speaker & Stainless Steel Enclosure
- 150RT** Siren & Stainless Steel Enclosure
- 155RT** Voice Siren in Stainless Steel Box

Speakers & Sirens

- 44** Speaker, 30 W, 8 Ohm Compact Horn
- 45** Siren, Compact Horn, 118db
- 55** Voice Siren, Compact Horn
- M120** Siren, Single Tone, 107db, Mini Horn
- SP15** Speaker, 15 watt, Small Horn
- SP30** Speaker, 30 watt, Horn
- SP35** Speaker, 20 watt, Interior
- SP40** Speaker, 40 watt, Horn
- SS15** Siren, Dual Tone, 110db, Horn
- SS30** Siren, Dual Tone, 120db, Horn
- SS36** Siren, Dual Tone, 105db, Interior

ECHO™ Sirens & Speakers

- 73** ECHO Speaker, 20 Watt, Interior
- 74** ECHO Dual Tone Siren, Interior
- 75** ECHO Voice Siren, Interior
- 870** ECHO Speaker, Self Amplified

Siren & Voice Drivers

- 100** High Performance Siren Driver
- 110** Voice Siren Driver, English & Spanish
- 120** Recordable Voice Module and Siren
- 124** Recordable Voice Module, 4 Channels

Surge Suppressors

- 950** Surge Suppressor, Phone & Power Line
- 951** Surge Suppressor, Phone - Single Line
- 955** Surge Suppressor, Phone - Dual Line

Relay Modules

- 912** Compact Relay, 12 Vdc, SPDT
- 912B** Heavy Duty Compact Relay, 12/24 Vdc, SPDT
- 924** Sensitive Relay, 12/24 Vdc, DPDT
- 941** Alarm Output Director
- 960** Delay Timer Relay, 1 sec. to 60 min.

Power Products

- 1240** Battery, Lead Acid, 12v, 5Ah
- 1270** Battery, Lead Acid, 12v, 8Ah
- 12100** Battery, Lead Acid, 12v, 12Ah
- 12170** Battery, Lead Acid, 12v, 18Ah
- 12250** Battery, Lead Acid, 12v, 25Ah
- P112** 12 Volts DC, 1 Amp Power Supply w/Enclosure
- P124** 24 Volts DC, 800mA Power Supply w/Enclosure
- P1216** 12 Volts DC, 1.5 Amp Power Supply
- P412** 12 Volts DC, 4 Amp Power Supply
- P624** Power Supply & Battery Charger
- PD9** Power Distribution Module
- 965** Low Battery Cutoff and Power Switch
- TRG1640** Transformer, 16.5VAC @ 40 VA
- TRG2440** Transformer, 24VAC @ 40 VA

Accessories

- 129** Computer Sound Card Interface
- 800** Audio Amplifier, 10 Watts
- 900-2** "B" Connectors, Unfilled, 500 pcs
- 902-2** "B" Connectors, Gel filled, 500 pcs
- 980** Telephone Line Fault Monitor
- 998** Warning Alarm System Decals
- 999** Double Sided Tape
- SL1** Strobe Light, 4 colors available
- WK1** Wall Mount Kit for SL1 Strobes

For more information contact your local Distributor or:
 ELK PRODUCTS, INC 828-397-4200 FAX 828-397-4415
<http://www.elkproducts.com> Email: info@elkproducts.com

Audio Amplifier ELK-800

APPLICATION:

A compact low cost audio amplifier ideal for paging, and alarm annunciation. The ELK-800 can be centrally or remotely installed and saves money by requiring only 22-24 gauge telco or alarm type wire. It operates on 12 to 24 Volts A.C. or D.C. and has a built-in volume adjust. The output is short circuit protected is capable driving multiple speakers.



ELK-800

Audio Amplifier



7 62158 00800 9

FEATURES:

- Small, Compact Public Address Amplifier.
- Alarm Annunciation Amplifier.
- Expanded Telephone System Paging.
- Amplified Telephone Ringer Where Speaker Tone Signaling Is Available.
- Eliminates Large Bulky Amplifiers.
- No Need For 70 Volt Line Transformers.
- Uses Inexpensive 22-24 AWG Wire.
- Drives Ordinary Horn Or Cone Speakers.
- Built-in Volume Control & Gain Select.

SPECIFICATIONS:

- Operating Voltage: 12 to 24V A.C. or D.C.
- Input Impedance: 1000 Ohms Nominal.
- Audio Input Level: -15 dBm to +10 dBm.
- Rated Output: 10 Watts.
- Output Speaker Load: 2 to 16 Ohms.
- Current At 24 VDC: 350 mA Nominal, 800 mA Maximum.
- Temperature: 0 to 130°F.
- Humidity: 0 to 95% Non-Precipitating.

Features and Specifications subject to change without notice.



828-397-4200 Voice
 828-397-4415 Fax
<http://www.elkproducts.com>
 email: info@elkproducts.com
 PO Box 100 • Hwy. 70W • Hildebran, NC 28637 • USA

Instructions Printed On Inside

ELK-800 Installation

Wiring Connections

Terminal 1 & 2 - 12 to 24 volts A.C. or D.C. power input. No polarity need be observed.

Terminal 3 & 4 - Audio Input(limited to -15 dbm to + 10 dbm), or Telephone audio paging line.

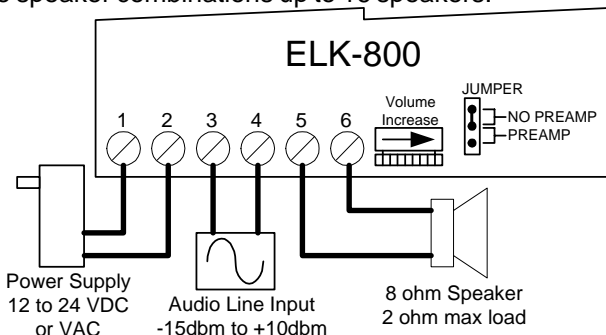
For weak audio input signals, Set Jumper to Preamp for +18 dbm extra gain.

Terminal 5 & 6 - Speaker output. **Two (2) ohm maximum load.** Speakers may be series/parallel wired for multiple speaker combinations up to 16 speakers.

Power Supply Wire Run

Speakers Per Wire Length (ft)

Power Run	24AWG	22AWG
16	25	40
8	50	80
4	100	160
2	200	320
1	400	640



Audio Input Wire Run

When using a remote power supply and 24 AWG wire, the length of the audio wire should be limited to 5000 feet with a maximum of four (4) ELK-800 amplifiers connected. Standard telephone twisted pair wire is a good choice for the audio wire run.

Speaker Spacing & Connections

Sound Level Location

Quiet	50 to 65db, offices
Moderate	65 to 80db, light manufacturing
Noisy	80 to 90db, heavy manufacturing
Very Noisy	Greater than 90db

Speaker Spacing

120 feet (14,400 sq. feet)
90 feet (8,100 sq. feet)
60 feet (3,600 sq. feet)
40 feet (1,600 sq. feet)

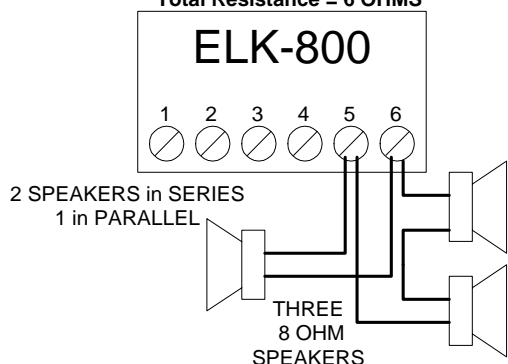
Volume Control

Turn the volume control clockwise (CW) to increase volume. Adjust to a comfortable level.

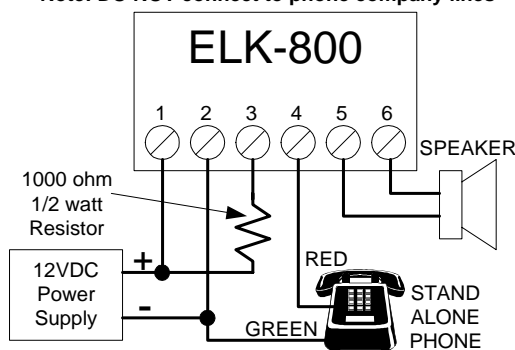
Audio Input Gain Control

If the audio input signal is too low for proper amplification, switch Jumper to Preamp position for an additional audio input gain of +18 dbm (8 X gain)

Example: Three Speakers on an ELK-800
Total Resistance = 6 OHMS



How to use an ELK-800 as a simple paging system
Note: DO NOT connect to phone company lines



LIFETIME LIMITED WARRANTY

Elk Products, Inc. ("Manufacturer") warrants to the original purchaser (the "Customer") that the products it manufactures ("Product") shall be free from defects in material and workmanship at time of shipment. Manufacturer's obligations under this Limited Warranty shall be limited to repairing or replacing, at its option, free of charge, any product returned to Manufacturer freight prepaid. Manufacturer shall have no obligation under this Limited Warranty or otherwise if (1) the Product has been damaged by negligence, accident, mishandling, lightning or flood, or other Acts of God, (2) the Product has not been operated in accordance with its operating instructions, (3) the Product has been altered or repaired by anyone outside Manufacturer's authorized facilities (4) adaptations or accessories have been made or attached to the Product which, in Manufacturer's sole determination, have adversely affected its performance, safety or reliability. Products such as batteries and fused transformers have their own warranties, and are not included in this Limited Warranty.

If a Product should malfunction or fail, contact Manufacturer or one of its authorized distributors for a Return Authorization (RA) number. Returned Products must include a complete description of the problem, along with the RA number clearly marked on outside of the package. Manufacturer will not be responsible for any unnecessary items included with any returned Product.

THIS WARRANTY IS THE EXCLUSIVE WARRANTY FOR ANY PRODUCT. MANUFACTURER SPECIFICALLY DISCLAIMS ANY AND ALL OTHER WARRANTIES OF ANY KIND, EXPRESS OR IMPLIED, INCLUDING ANY WARRANTIES OF FITNESS FOR A PARTICULAR PURPOSE OR OF MERCHANTABILITY. MANUFACTURER SHALL NOT BE LIABLE IN TORT, INCLUDING NEGLIGENCE OR STRICT LIABILITY, AND SHALL HAVE NO LIABILITY AT ALL FOR INJURY TO PERSONS OR PROPERTY. MANUFACTURER'S LIABILITY FOR FAILURE TO FULFILL ITS OBLIGATION UNDER THIS LIMITED WARRANTY OR ANY OTHER LIABILITY IN CONNECTION WITH A PRODUCT SHALL BE LIMITED TO THE AMOUNT OF THE PURCHASE PRICE RECEIVED BY MANUFACTURER FOR THE PRODUCT. THE REMEDIES STATED IN THIS LIMITED WARRANTY ARE THE CUSTOMER'S EXCLUSIVE REMEDIES AGAINST MANUFACTURER REGARDING ANY PRODUCT. UNDER NO CIRCUMSTANCES SHALL MANUFACTURER BE LIABLE FOR ANY INDIRECT, INCIDENTAL, SPECIAL OR CONSEQUENTIAL DAMAGES, INCLUDING LOST PROFITS AND REVENUES, INCONVENIENCE OR INTERRUPTIONS IN OPERATIONS, OR ANY OTHER COMMERCIAL OR ECONOMIC LOSSES OF ANY KIND. THESE LIMITATIONS AND DISCLAIMERS ARE NOT MADE BY MANUFACTURER WHERE PROHIBITED BY LAW. SOME STATES PROHIBIT LIMITATIONS OF WARRANTIES AND THE CUSTOMER MAY HAVE ADDITIONAL RIGHTS IN THOSE STATES.

For more information contact your local Distributor or: ELK Products, Inc. - PO Box 100 - 3266 US Hwy. 70 West - Hildebran, NC, - 28637 - USA - 828-397-4200