

\* Try these other fine ELK products \*

**Magic Module Series**

- MM443** Magic Module, 4 Input, 4 Output, Programmable
- MM447** Automation Controller w/Voice, Caddx Interface
- MV480** Recordable Voice Module, 400 Channels
- MKHOME1** Home Control Kit for Caddx NX Controls
- MK400** Starter Kit, Includes MM443 & MK485
- MK485** Programming Kit, MB485, Cables, Software
- MK410** X-10® Transceiver Kit, Programmed MM443
- MK420** iButton™ Access Kit w/ MM443, MA100, MA101
- MA100** iButton™ 'Touchkey' Reader & Interface Pack
- MA101** iButton™ 'Touchkeys', 10 pcs w/keyring holders
- MA290** Proximity / Wiegand Data Interface to MM443
- MB485** Data Bus Interface, RS232 to RS485
- MC100** Clock / Calendar Module for MM443
- ML8** Link Interface to Caddx NX Controls
- MT100** Temperature Sensor Module for MM443
- MM220** Magic Module, 2 Input, 2 Output, Programmable

**Rust Free Sirens / Speakers**

- 1RT** Speaker & Stainless Steel Enclosure
- 150RT** Siren & Stainless Steel Enclosure
- 155RT** Voice Siren in Stainless Steel Box

**Speakers & Sirens**

- 44** Speaker, 30 W, 8 Ohm Compact Horn
- 45** Siren, Compact Horn, 118db
- 55** Voice Siren, Compact Horn
- M120** Siren, Single Tone, 107db, Mini Horn
- SP15** Speaker, 15 watt, Small Horn
- SP30** Speaker, 30 watt, Horn
- SP35** Speaker, 20 watt, Interior
- SP40** Speaker, 40 watt, Horn
- SS15** Siren, Dual Tone, 110db, Horn
- SS30** Siren, Dual Tone, 120db, Horn
- SS36** Siren, Dual Tone, 105db, Interior

**ECHO™ Sirens & Speakers**

- 73** ECHO Speaker, 20 Watt, Interior
- 74** ECHO Dual Tone Siren, Interior
- 75** ECHO Voice Siren, Interior
- 870** ECHO Speaker, Self Amplified

**Siren & Voice Drivers**

- 100** High Performance Siren Driver
- 110** Voice Siren Driver, English & Spanish
- 120** Recordable Voice Module and Siren
- 124** Recordable Voice Module, 4 Channels

**Surge Suppressors**

- 950** Surge Suppressor, Phone & Power Line
- 951** Surge Suppressor, Phone - Single Line
- 955** Surge Suppressor, Phone - Dual Line

**Relay Modules**

- 912** Compact Relay, 12 Vdc, SPDT
- 912B** Heavy Duty Compact Relay, 12/24 Vdc, SPDT
- 924** Sensitive Relay, 12/24 Vdc, DPDT
- 941** Alarm Output Director
- 960** Delay Timer Relay, 1 sec. to 60 min.

**Power Products**

- 1240** Battery, Lead Acid, 12v, 5Ah
- 1270** Battery, Lead Acid, 12v, 8Ah
- 12100** Battery, Lead Acid, 12v, 12Ah
- 12170** Battery, Lead Acid, 12v, 18Ah
- 12250** Battery, Lead Acid, 12v, 25Ah
- P112** 12 Volts DC, 1 Amp Power Supply w/Enclosure
- P124** 24 Volts DC, 800mA Power Supply w/Enclosure
- P1216** 12 Volts DC, 1.5 Amp Power Supply
- P412** 12 Volts DC, 4 Amp Power Supply
- P624** Power Supply & Battery Charger
- PD9** Power Distribution Module
- 965** Low Battery Cutoff and Power Switch
- TRG1640** Transformer, 16.5VAC @ 40 VA
- TRG2440** Transformer, 24VAC @ 40 VA

**Accessories**

- 129** Computer Sound Card Interface
- 800** Audio Amplifier, 10 Watts
- 900-2** "B" Connectors, Unfilled, 500 pcs
- 902-2** "B" Connectors, Gel filled, 500 pcs
- 980** Telephone Line Fault Monitor
- 998** Warning Alarm System Decals
- 999** Double Sided Tape
- SL1** Strobe Light, 4 colors available
- WK1** Wall Mount Kit for SL1 Strobes

For more information contact your local Distributor or:  
 ELK PRODUCTS, INC 828-397-4200 FAX 828-397-4415  
<http://www.elkproducts.com> Email: [info@elkproducts.com](mailto:info@elkproducts.com)  
 05/02

# Sensitive Relay

ELK-924 (Single)

ELK-924-4 (4 Pack)

DPDT 12 or 24 VDC w/1.2mA Trigger

**APPLICATION:**

The **ELK-924** is a sensitive relay which offers positive (+) or negative (-) trigger activation on as low as 1.2 mA of current. The ELK-924 features 12 or 24 Volts D.C. operation, DPDT form "C" heavy duty contacts, and a LED status indicator.



## Sensitive Relay DPDT 12/24 VDC, 1.2mA Trigger

ELK-924 (Single)



ELK-924-4 (4 Pack)



**FEATURES:**

- Super Low 1.2 mA Trigger Current.
- Positive (+) Or Negative (-) Trigger Input.
- Selectable Input Voltage.
- Double Form "C" Contacts DPDT.
- Heavy Duty Contact Rating.
- On Board LED Status Indicator.
- Includes Double Sided Mounting Tape.
- Mounts In Standard 2.75" Snap Track.
- Packed In Reusable Poly Storage Box.
- Lifetime Limited Warranty, call for details

**SPECIFICATIONS:**

- Operating Voltage: 12 or 24 Volts D.C.
- Trigger Current: 1.2 mA @ 12 Volts D.C.
- Trigger Voltage: 4 to 24 Volts D.C.
- Nominal Current Draw: 60 mA.
- Double Form "C" Contacts Rated for: 7 Amps @ 30 VDC, 10 Amps @ 125 VAC.
- Diode Protection Across Relay Coils.
- Size: 1.5" X 2.75".

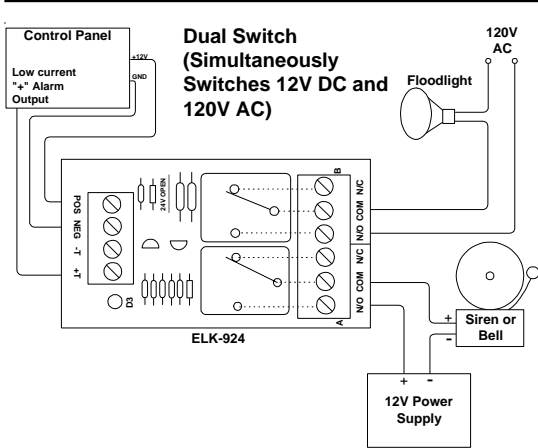
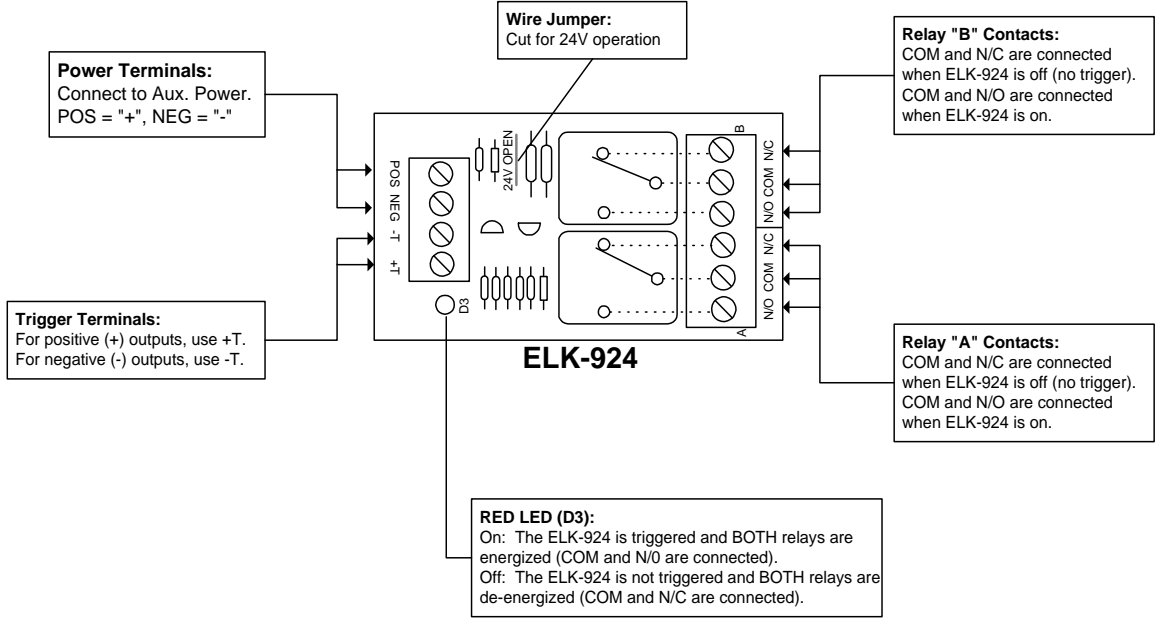
Features or Specifications subject to change without notice.



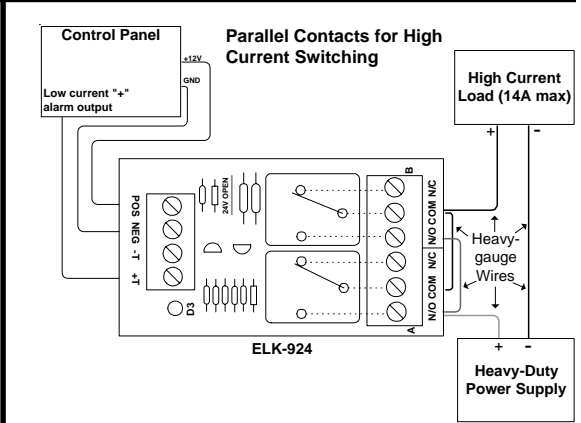
**828-397-4200** Voice  
 828-397-4415 Fax  
<http://www.elkproducts.com>  
 email: [info@elkproducts.com](mailto:info@elkproducts.com)  
 PO Box 100 • Hwy. 70W • Hildebran, NC 28637 • USA

**Instructions Printed On Inside**

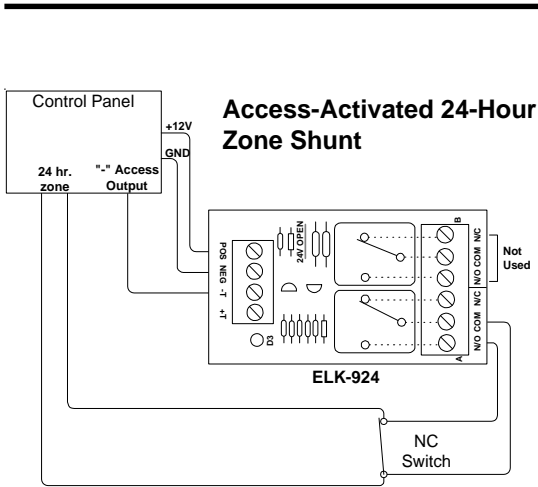
# APPLICATIONS AND WIRING DIAGRAMS



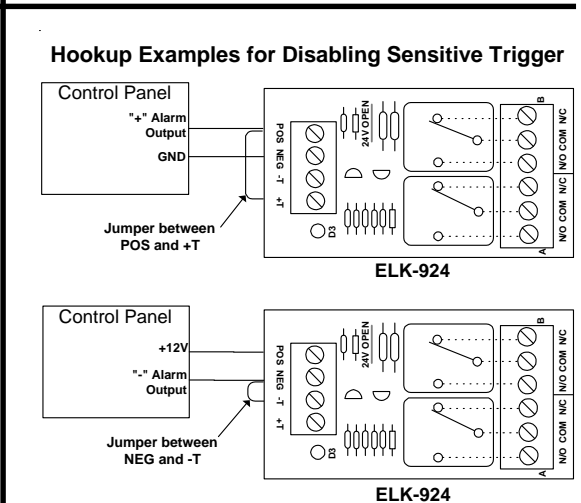
**Example 1:** The relays are used to switch two different voltages. The ELK-924 is powered by the control panel and triggered by a low-current, positive alarm output.



**Example 3:** Wire jumpers are used to tie Relays "A" and "B" in parallel for high current switching. Currents as high as 14A can be switched with this hookup. **Note:** Use heavy-gauge wire for all high current runs.



**Example 2:** Relay "A" is used to bypass a 24 hour zone when an access code is entered on the control's keypad. The "-" Access Output is connected to -T on the ELK-924.



**Example 4:** If sensitive trigger is not desired, place a wire jumper between POS and +T (for positive output controls) or between NEG and -T (for negative output controls).