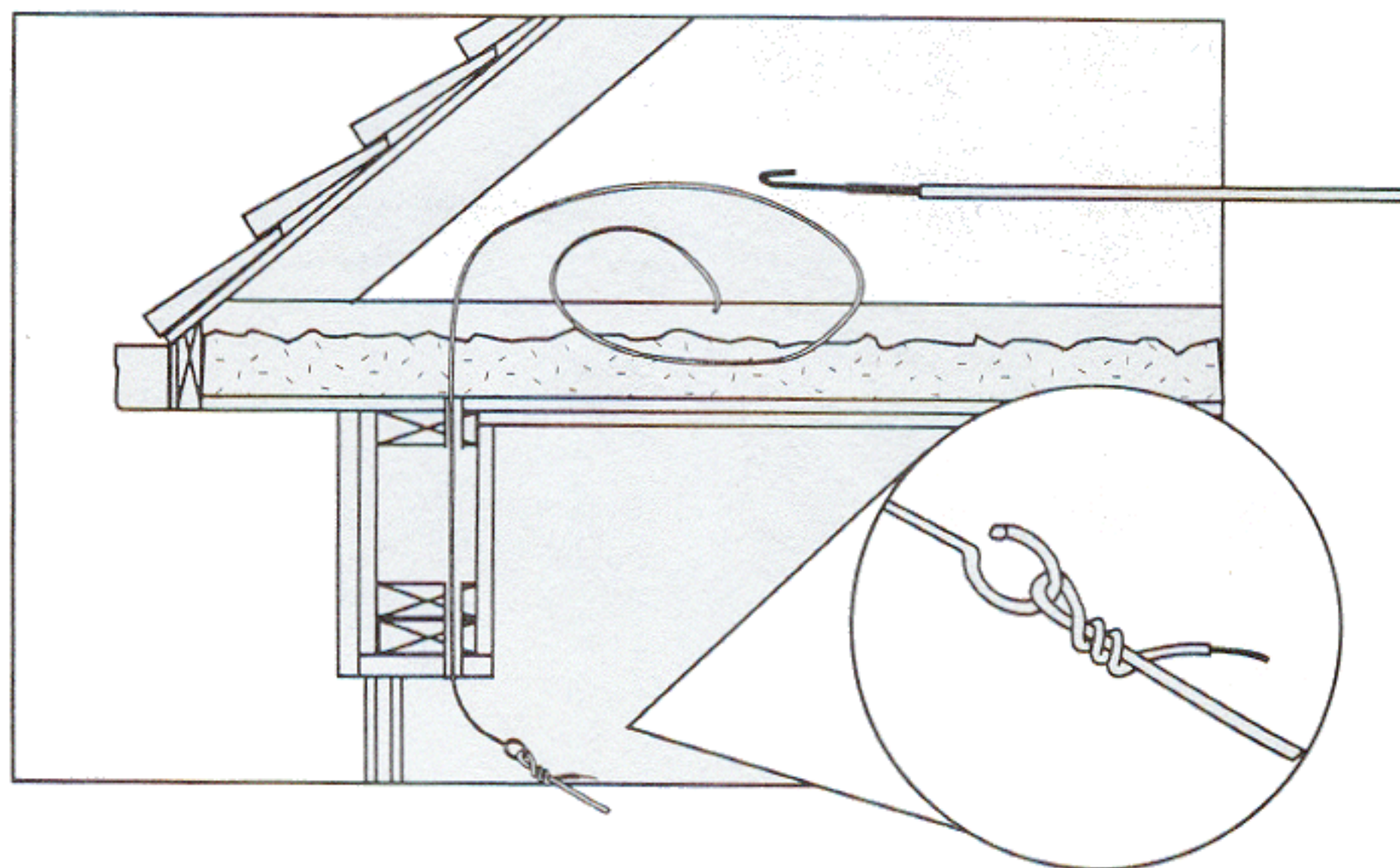


## HOW TO PROCEED:

1. Using a 1/4" Spear-Zit (or bell hanger) drill bit --36" or 48" long --, drill a hole up the window header and the top plate; (be carefull not to drill through the roof sheathing)
2. Remove the 12 ft. spring wire from its holder and lay it aside.
3. Insert the 24" (or 36") stainless steel tube in the drilled hole until it hits the roof sheathing, then pull back a little and hold it in position.
4. Feed the spring wire inside the tube until it stops at the roof sheathing.
5. Pull tube back approximately 12" and push remaining fish wire through; it will coil in the attic, on top of the insulation.
6. Remove the tube and attach both the wire and a nylon line to the eyelet of the fish wire (operating as a two person crew, you will use the nylon line to pull the fishwire back to you for the next run). If operating alone, disregard the nylon line and repeat the above steps using several fish wires rather than the same one over and over.
7. In the attic, extend a Grabbit 8 or 12 with a "Jtip" towards the coiled fishwire; hit it so the coils lay flat and won't "kink". Grab all the loops of the wire with the "Jtip" so it uncoils as you bring it to you. Pull the fishwire, it will bring the wire to you.



## REPLACEMENT PARTS:

83-110	FEK-1	FISH-EZE ATTIC FISHING KIT
83-112	FEKW12	FISH WIRE IN STAINLESS STEEL HOLDER
83-120	FEKWOH	FISH WIRE WITHOUT HOLDER
83-124	FEKT24	24" STAINLESS STEEL TUBE
83-136	FEKT36	36" STAINLESS STEEL TUBE