

Overview

The VideoEase CCTV Pass-Thru Balun (500022) allows video, remote power and 2-wire pan, tilt, zoom (PTZ) control signals to be transmitted via one 4-pair Cat 5 cable, thus eliminating the need to install multiple cables for more efficient cabling.

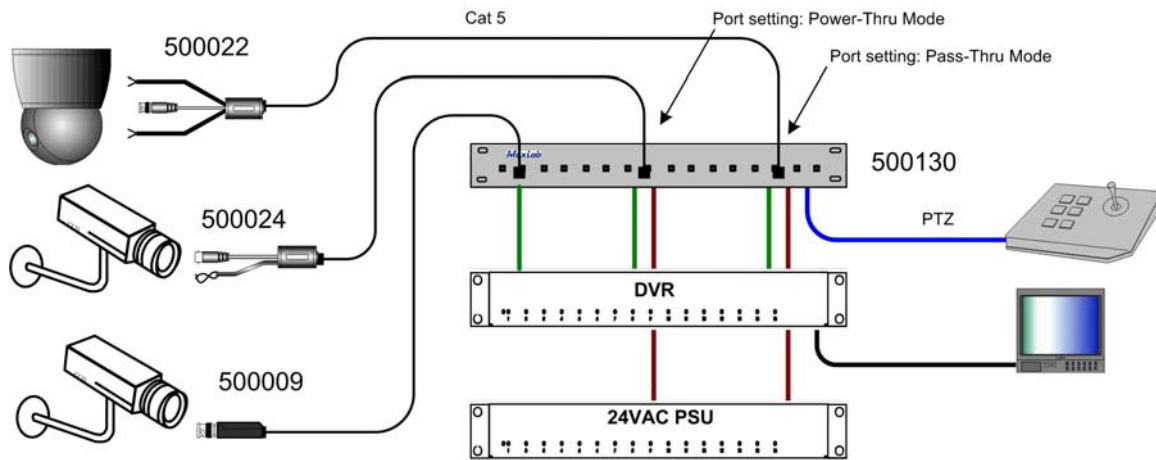
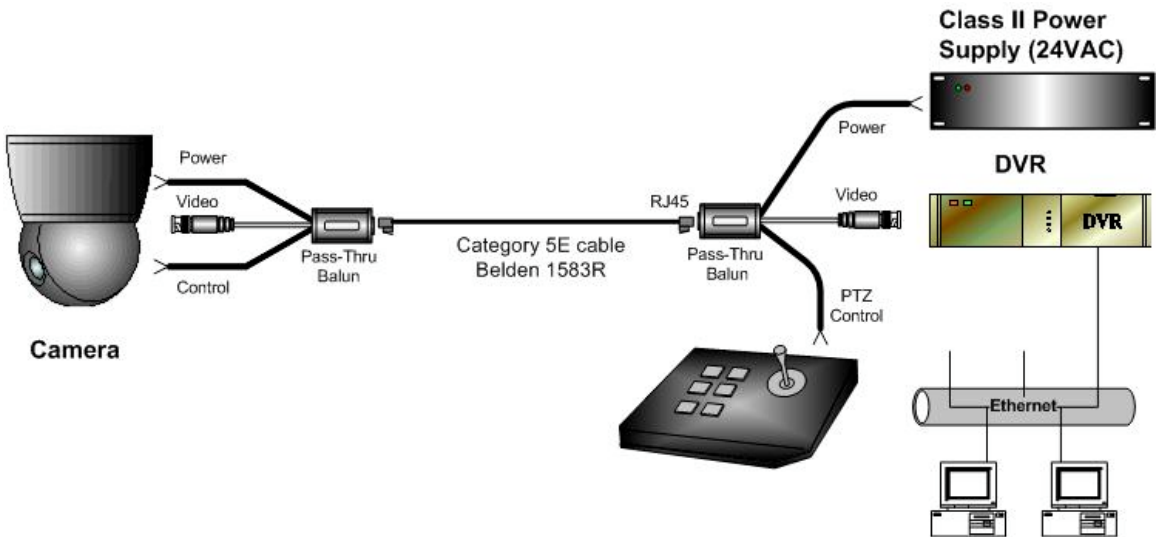
The Pass-Thru Balun may be used in pairs or it may be installed at the camera and connected to standard twisted pair cross-connect devices at the remote end. The product is fully compatible with other MuxLab CCTV baluns such as the 500000, 500009, 500023 and 500015.



Features/Benefits

Combines video, power and PTZ control under one 4-pair Cat 5 cable for more efficient cabling
 Video up to 2,200 ft (670m) via Cat 5 UTP*
 Compact - fits inside dome cameras, back boxes.
 * Shorter distances may result with certain models of DVR.

Typical Applications



VideoEase CCTV Pass-Thru Balun 500022

| Specifications | | | |
|---|--|---|-------------------------|
| Environment | Baseband video; NTSC, PAL, SECAM | | |
| Devices | Close-circuit TV (CCTV) cameras , monitors, switchers, sequencers, multiplexers, digital video recorders (DVR) and other CCTV equipment. | | |
| Transmission | Transparent to the user. | | |
| Video | | | |
| Bandwidth | DC to 8 MHz. | | |
| Impedance | Input: 75 ohms (BNC); Output: 100 ohms (RJ45) | | |
| Maximum Input | 1.1Vp-p | | |
| Insertion Loss | Less than 2 dB per pair over the frequency range from DC to 8 MHz | | |
| Return Loss | Greater than 15 dB over the frequency range from DC to 8 MHz | | |
| Common Mode Rejection | Greater than 40 dB @ 8 MHz | | |
| Max. Distance - Colour | Cat 3 – 1,200 ft (365m); Cat 5 – 2,200 ft. (670m)* <i>*Certain models of DVR may yield shorter distances of 1,000 to 1,500 ft</i> | | |
| Max. Distance - Black & White | Cat 3 – 1,500 ft (457m); Cat 5 – 2,500 ft (762m) | | |
| Remote Power (ie; 24 VAC, 28 VAC) | | | |
| Wiring | Remote low voltage power supported via two (2) twisted pairs. A Class II power supply is recommended. | | |
| Max. Distance @ 24VAC via two twisted pairs* | 5 vA: 350 ft (107m)* 20 vA: 90 ft (30m)* <i>*Longer distances may be achieved @ 28 VAC.</i> | 10 vA: 175 ft (53m)* 30 vA: 60 ft (20m)* <i>*Based on 10% voltage drop at camera. Please consult your CCTV equipment vendor for more detailed performance specifications.</i> | |
| 2-Wire PTZ Control (i.e. RS-422, Manchester/Bi-Phase, half duplex RS485) | | | |
| Wiring | Remote 2-wire PTZ control supported via one (1) twisted pair. | | |
| Maximum Distance | Up to 4,000 ft (1.2 km) depending on the PTZ camera vendor** <i>**Please consult your CCTV equipment vendor for more detailed performance specifications.</i> | | |
| Maximum Input Voltage | 50 Volts (AC RMS/DC) | | |
| Maximum Current Rating | 3A (AC RMS/DC) | | |
| Mechanical & Environmental | | | |
| Cable – UTP | 24 gauge or lower solid copper twisted pair wire impedance: 100 ohms at 1 MHz Maximum capacitance: 20 pf/foot. Attenuation: 6.6 dB/1000 ft at 1 MHz | | |
| Cable – Coax | Impedance: 75 Ω at 1 MHz. (RG59/U). Max. 25 ft. of coax allowed end to end. | | |
| Connectors | Combined signals: RJ45 Power: 2-wire 18AWG lead | Video: BNC-male 8" mini-coax lead Control: 2-wire 24AWG twisted pair lead | |
| Pin Configuration* <i>*Reverse polarity sensitive</i> | Signal | RJ45 Pin | Cable Lead Color |
| | Power A | 1 (common with 3) | Red |
| | Power B | 2 (common with 6) | Black |
| | Power A | 3 (common with 1) | Red |
| | Control + | 4 | Blue solid/White band* |
| | Control - | 5 | White solid/Blue band* |
| | Power B | 6 (common with 2) | Black |
| | Video BNC Center (Tip) | 7 [T] opposite to 500000 | Mini-coax |
| Video BNC Ground (Ring) | 8 [R] opposite to 500000 | Mini-coax | |
| Temperature | Operating: 0° to 55°C. Storage: -20° to 85°C. Humidity: up to 95% | | |
| Enclosure | ABS fire retardant plastic | | |
| Dimensions | 1.875" (4.7cm)x 1.0" (2.54cm) diameter plus cable leads; 8" (20cm) for video; 10" (25.4cm) for power and control leads | | |
| Weight | 1.95 oz (55 gms) | | |
| Warranty | Lifetime | | |
| Order Information | 500022 | VideoEase CCTV Pass-Thru Balun | |