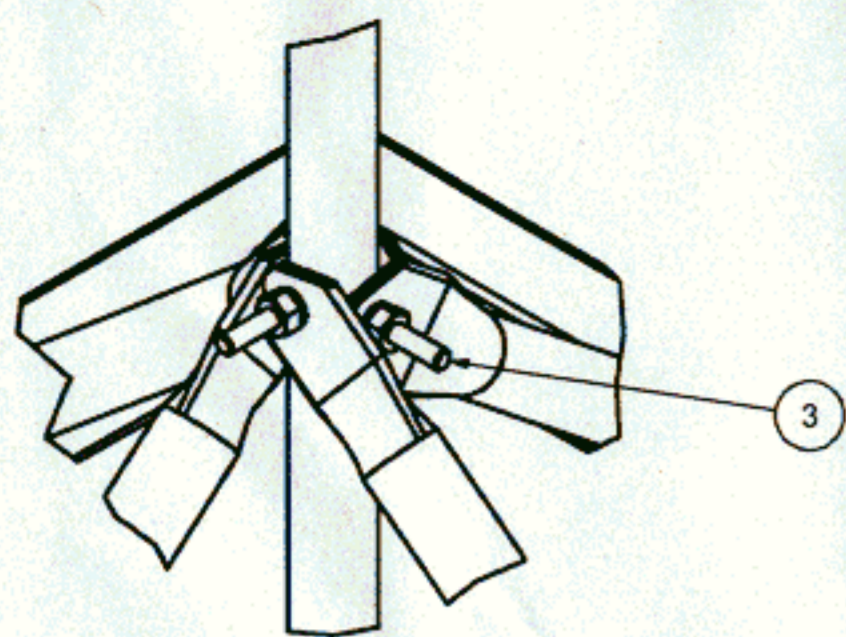
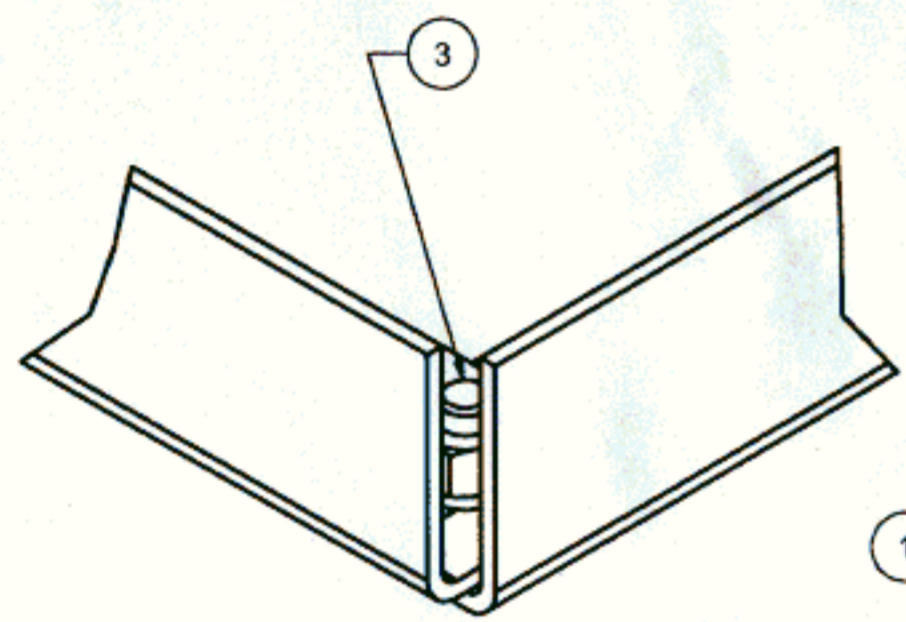


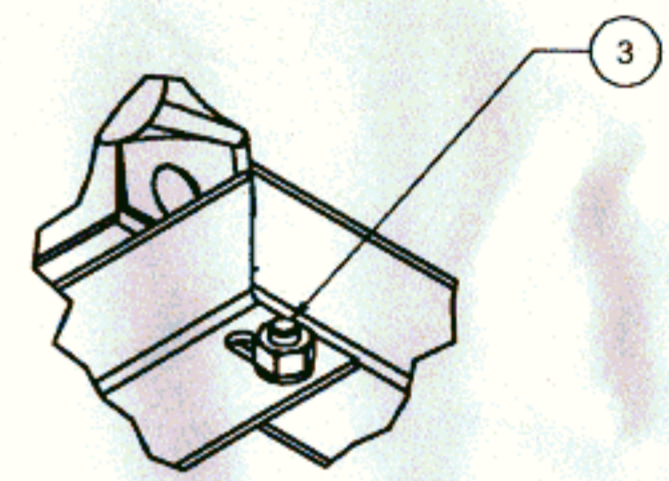
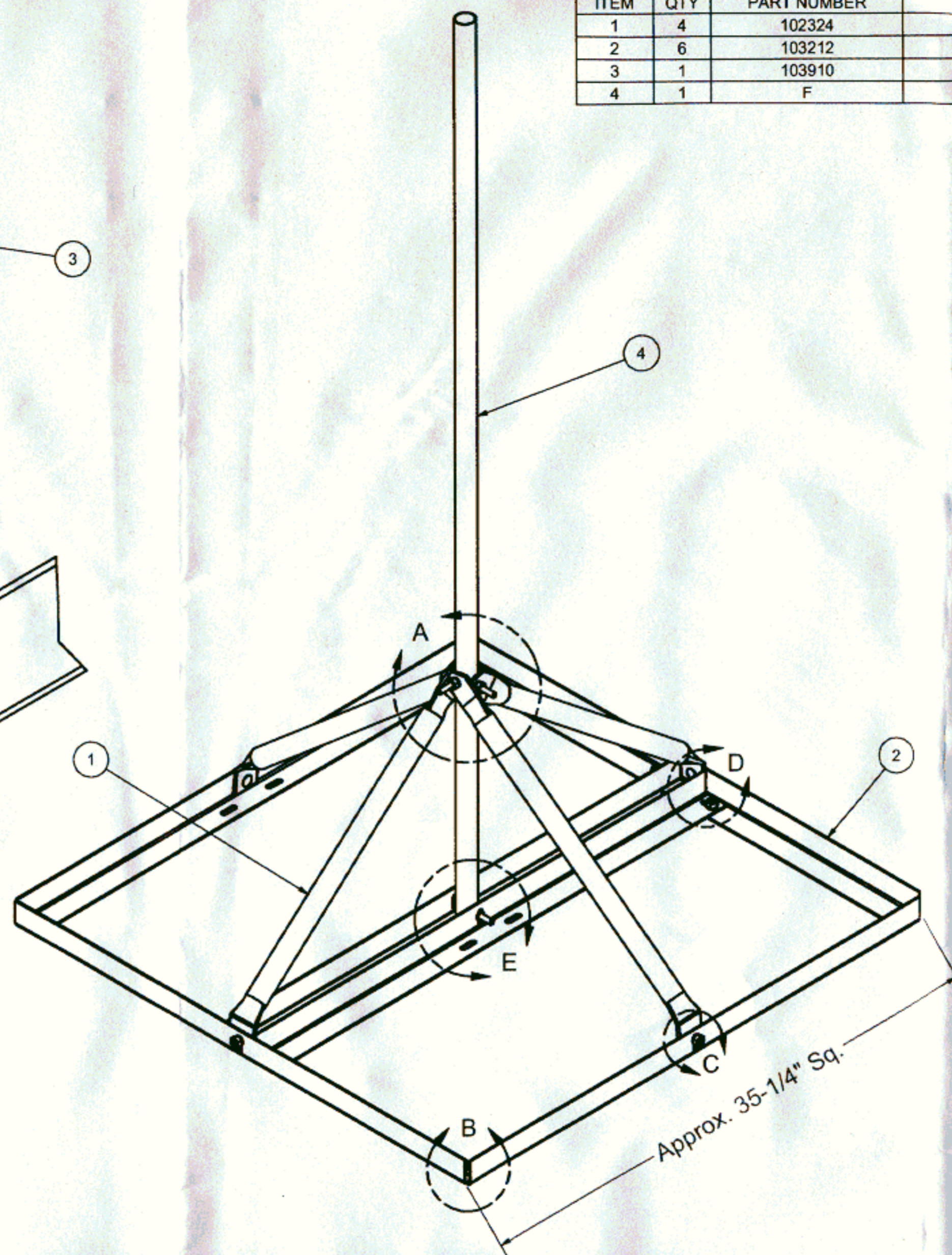
BILL OF MATERIALS				
ITEM	QTY	PART NUMBER	DESCRIPTION	UNIT WEIGHT
1	4	102324	FRM Roof Mount Tray Tube	1.6 lbmass
2	6	103212	FRM Roof Mount Tray Bent Plate	3.3 lbmass
3	1	103910	FRM Roof Mount Bolt Kit	0.62 lbmass
4	1	F	See Table	See Part Dwg.



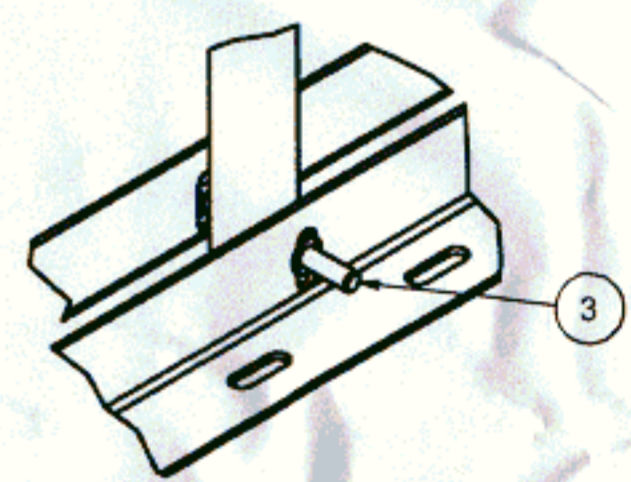
DETAIL A



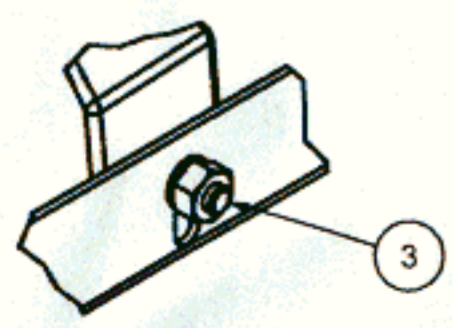
DETAIL B



DETAIL D



DETAIL E



DETAIL C

Part Number	F	Description	Weight
103489	103483	Tube 1-1/4" x 16Ga. x 60"	31 lbmass
103490	103484	Tube 1-1/2" x 16Ga. x 30"	29 lbmass
103491	103485	Tube 1-5/8" x 16Ga. x 30"	30 lbmass
103492	103486	Tube 2-3/8" Sch. 40 x 30"	32 lbmass
103493	103487	Tube 2-3/8" Sch. 40 x 60"	37 lbmass

CAD APP: RCH		TITLE: FRM Roof Mount	 NELLO CORPORATION 72377 Airline Dr. Nappanee, IN 46550 Bus: (574)773-4827 Fax: (574)773-5840
MFG APP:			
ENG APP: DDA		DRAWN BY: RCH	ORIG. DATE: 1/8/2004
Dwg No: 172		WEIGHT: See Chart	DWG NO: 103489
REV 1 BY RCH DATE 4/26/2005 NPD 649		DESCRIPTION Revised Weights	SHEET: 1 OF 1

COPYRIGHT NOTICE:
 This drawing is the property of Nello Inc. It is not to be reproduced, copied or traced in whole or in part without our written consent.