

NÜVÖ®

The Sound of LiVing.



AccentPLUS Outdoor Loudspeakers

Installation Guide

AccentPLUS Outdoor Speaker Installation Guide

Congratulations on your purchase of the NuVo AccentPLUS1 and AccentPLUS2 Outdoor Speakers. A durable mineral filled, UV - resistant cabinet and powder-coated aluminum grill are able to withstand the elements and through careful design, are capable of superior audio reproduction. The secret is in a honeycomb pattern molded into the enclosure that provides important rigidity and also houses a special bituminous, acoustically inert material that eliminates unwanted resonance. Whether you are listening to the AccentPLUS1 or AccentPLUS2 models, the increased bass and treble response will heighten any listening experience.

Speaker Placement

Proper placement of the speakers is crucial to enjoying the benefits of the AccentPLUS Outdoor Speakers. Consider the optimal listening area. The speakers should ideally be placed facing that area with 8 - 10 feet of separation or if you are using the stereo speakers try to center it within the space. The on-wall bracket provided with the speakers allows them to be angled ideally at the ear level of the listener.

Properly Mounting the Speakers

Each speaker is shipped with two types of mounts. One is a tripod that allows each speaker to sit on a tabletop or shelf. The other is a U-shaped bracket that is designed for mounting the speakers on a wall.

Tabletop Mount

To use the included tabletop mount, locate the bottom of the speaker. This is the inset mounting screw with a small hole positioned next to it. This is designed to receive the small peg molded on the top of the tripod. The speaker and the tripod also have corresponding bevels that interlock. Line up the peg with the hole and the interlocking bevels on both the stand and speaker and secure the stand to the speaker with the included end cap, fig. 1. Once secured the speaker will stand upright on any level surface.

Wall Mounting

A U-shaped bracket is shipped with each speaker designed for mounting the speaker horizontally on a wall. The beveled surfaces on the inside of the mount and on the exterior ends of the speaker allow the speaker to be tightened and angled appropriately toward the listening area. The end caps provided with the speakers tighten the bracket to the speaker enclosure to hold the speaker at the desired angle, fig. 2.

Fig. 1

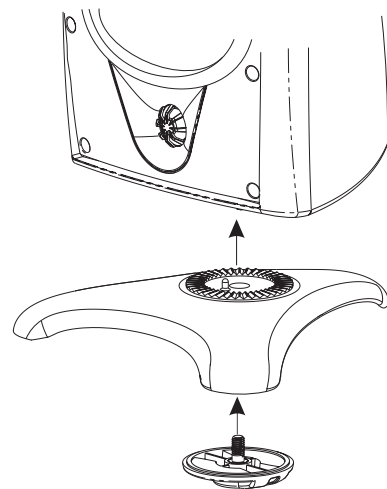
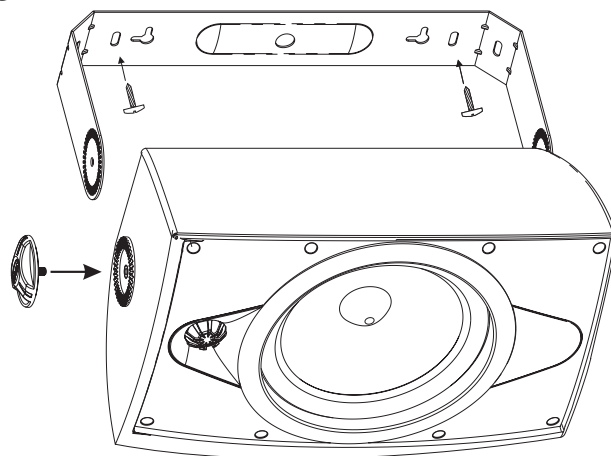


Fig. 2



Corner Mounting

The wall brackets have an angle designed for mounting the speakers across a 90° inside corner. This is very useful within an enclosed patio area or angling the speakers into a room, fig. 3.

Optional Omni Mount (not included)

The top of each speaker cabinet has a pair of inset screws designed for use with the Omni Mount 20.5 ball mount. This is useful for mounting the speakers vertically rather than horizontally. The mount consists of two pieces. One that screws to the speaker enclosure and one that is mounted on the wall. The wall mount has a two-piece mechanism that tightens around a ball on the end of the speaker mount. This allows the speaker to be placed at the appropriate angle and tightened holding its placement, fig. 4.

Making the Connection

Positive and negative spring loaded connection terminals are located on the back of each speaker. Note that the stereo speakers have two pairs of terminals to accept both left and right signals. The terminals are color coded red for the positive signal and black for the negative signal, fig 5. For this purpose, many pairs of speaker wires utilize red and black shielding for easily identifying the positive and negative leads. Other speaker wires use a copper wire for positive and white tinted copper wire for negative.

Once the installation is complete, your speakers should be fully operational. Should you have no audio from the speakers, make sure the speaker wires did not become disconnected from the terminal posts, or that there is not a short in the speaker wire.

Fig. 3

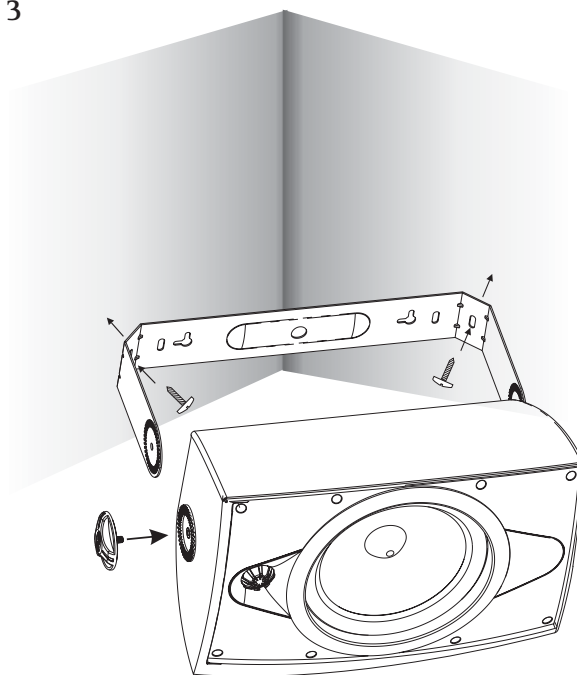


Fig. 4

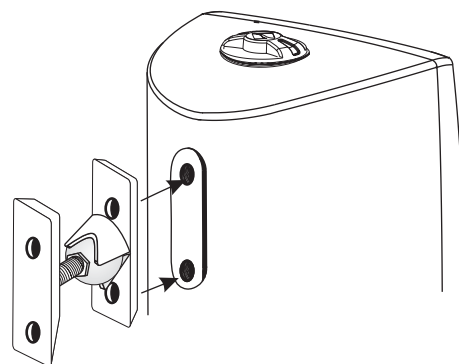
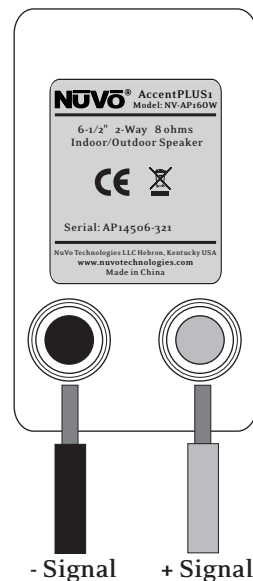


Fig. 5



Specifications

AccentPLUS1 Outdoor Speaker

SYSTEM	NV-AP160B	NV-AP160W	NV-AP160SB	NV-AP160SW
Description	AccentPLUS1 6.5" Black Outdoor Loudspeaker	AccentPLUS1 6.5" White Outdoor Loudspeaker	AccentPLUS1 6.5" Black Stereo Outdoor Loudspeaker	AccentPLUS1 6.5" White Stereo Outdoor Loudspeaker
Power Rating:	50W	50W	40W*2	40W*2
Impedance	8ohm	8ohm	8ohm	8ohm
Efficiency	89dB 1W/1M	89dB 1W/1M	88dB 1W/1M	88dB 1W/1M
Frequency Response	55Hz-20KHz +/-3dB	55Hz-20KHz +/-3dB	60Hz-20KHz +/-3dB	60Hz-20KHz +/-3dB
Tweeter Crossover	12dB	12dB	12dB	12dB
Woofer Crossover	N/A	N/A	N/A	N/A
Dimension:	13"x7 5/8"x7 1/2"	13"x7 5/8"x7 1/2"	13"x7 5/8"x7 1/2"	13"x7 5/8"x7 1/2"
Depth w/bracket	330mmx193mmx190mm 8" (205mm)	330mmx193mmx190mm 8" (205mm)	330mmx193mmx190mm 8" (205mm)	330mmx193mmx190mm 8" (205mm)
SYSTEM	NV-AP180B	NV-AP180W	NV-AP180SB	NV-AP180SW
Description	AccentPLUS1 8" Black Outdoor Loudspeaker	AccentPLUS1 8" White Outdoor Loudspeaker	AccentPLUS1 8" Black Stereo Outdoor Loudspeaker	AccentPLUS1 8" White Stereo Outdoor Loudspeaker
Power Rating:	80W	80W	50W*2	50W*2
Impedance	8ohm	8ohm	8ohm	8ohm
Efficiency	90dB 1W/1M	90dB 1W/1M	90dB 1W/1M	90dB 1W/1M
Frequency Response	55Hz-20KHz +/-3dB	55Hz-20KHz +/-3dB	50Hz-20KHz +/-3dB	50Hz-20KHz +/-3dB
Tweeter Crossover	12dB	12dB	12dB	12dB
Woofer Crossover	N/A	N/A	N/A	N/A
Dimension:	13"x7 5/8"x7 1/2"	13"x7 5/8"x7 1/2"	13"x7 5/8"x7 1/2"	13"x7 5/8"x7 1/2"
Depth w/bracket	330mmx193mmx190mm 8" (205mm)	330mmx193mmx190mm 8" (205mm)	330mmx193mmx190mm 8" (205mm)	330mmx193mmx190mm 8" (205mm)

AccentPLUS2 Outdoor Speaker

SYSTEM	NV-AP260B	NV-AP260W	NV-AP260SB	NV-AP260SW
Description	AccentPLUS2 6.5" Black Outdoor Loudspeaker	AccentPLUS2 6.5" White Outdoor Loudspeaker	AccentPLUS2 6.5" Black Stereo Outdoor Loudspeaker	AccentPLUS2 6.5" White Stereo Outdoor Loudspeaker
Power Rating:	50W	50W	40W*2	40W*2
Impedance	8ohm	8ohm	8ohm	8ohm
Efficiency	89dB 1W/1M	89dB 1W/1M	89dB 1W/1M	89dB 1W/1M
Frequency Response	55Hz-20KHz +/-3dB	55Hz-20KHz +/-3dB	55Hz-20KHz +/-3dB	55Hz-20KHz +/-3dB
Tweeter Crossover	12dB	12dB	12dB	12dB
Woofer Crossover	N/A	N/A	N/A	N/A
Dimension:	13"x7 5/8"x7 1/2"	13"x7 5/8"x7 1/2"	13"x7 5/8"x7 1/2"	13"x7 5/8"x7 1/2"
Depth w/bracket	330mmx193mmx190mm 8" (205mm)	330mmx193mmx190mm 8" (205mm)	330mmx193mmx190mm 8" (205mm)	330mmx193mmx190mm 8" (205mm)
SYSTEM	NV-AP280B	NV-AP280W	NV-AP280SB	NV-AP280SW
Description	AccentPLUS2 8" Black Outdoor Loudspeaker	AccentPLUS2 8" White Outdoor Loudspeaker	AccentPLUS2 8" Black Stereo Outdoor Loudspeaker	AccentPLUS2 8" White Stereo Outdoor Loudspeaker
Power Rating:	100W	100W	50W*2	50W*2
Impedance	8ohm	8ohm	8ohm	8ohm
Efficiency	91dB 1W/1M	91dB 1W/1M	91dB 1W/1M	91dB 1W/1M
Frequency Response	45Hz-20KHz +/-3dB	45Hz-20KHz +/-3dB	45Hz-20KHz +/-3dB	45Hz-20KHz +/-3dB
Tweeter Crossover	12dB	12dB	12dB	12dB
Woofer Crossover	N/A	N/A	N/A	N/A
Dimension:	13"x7 5/8"x7 1/2"	13"x7 5/8"x7 1/2"	13"x7 5/8"x7 1/2"	13"x7 5/8"x7 1/2"
Depth w/bracket	330mmx193mmx190mm 8" (205mm)	330mmx193mmx190mm 8" (205mm)	330mmx193mmx190mm 8" (205mm)	330mmx193mmx190mm 8" (205mm)

NuVo Technologies LLC Hebron, Kentucky USA
www.nuvotechnologies.com