



Model UPP UPB Pocket Programmer

FEATURES/BENEFITS

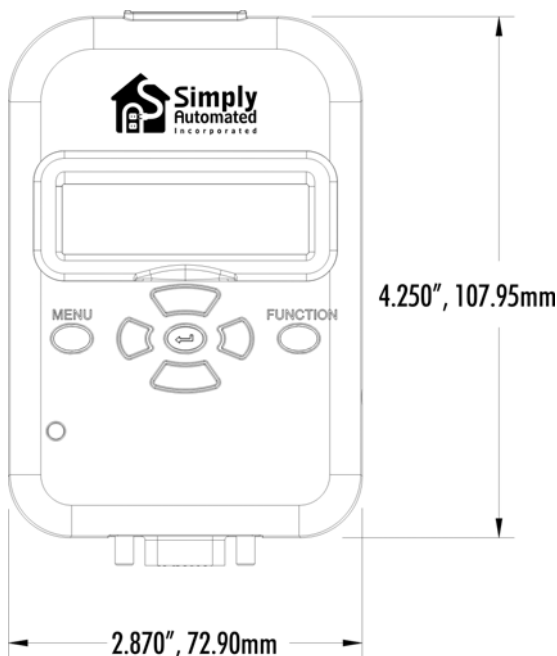
- Offers the installer a convenient, handheld UPB network & device configuration tool
- Eliminates the need for a PC at the jobsite
- Supports the majority of UPStart software functions
- Identifies & sets up UPB network devices
- Allows user to configure UPB network, change device settings & links
- Includes trouble-shooting tools to monitor network activity
- Supports download of software updates in the field
- Doubles as a Computer Interface Module (CIM) allowing connection of a PC with UPStart to a UPB network
- Includes power cord and a handy carrying case

DESCRIPTION

Model UPP UPB Pocket Programmer was developed to help installers with field configuration of UPB devices.

The Pocket Programmer virtually eliminates the need to have a PC with UPStart software and a Computer Interface Module (CIM) At every jobsite.

With the UPB Pocket Programmer, an installer can walk through a house and plug-in the tool where ever a power outlet is available. It makes configuring UPB Devices from room-to-room, quick and easy.



SPECIFICATIONS

Power	120Volts AC, 60Hz
Input Current	200mA
Operating Temp.	0-50 °C
Computer Interface	RS-232
Dimensions	4.5 x 2.875 x 1.0 inches 114 x 73 x 25 mm
Weight	UPP: 5.2oz, 147g With power cord: 9.0 Oz., 255g
Safety	Conforms to UL STD 60950 Certified to CAN/CSA STD C22.2 No. 60950-1-03
Model Number	
UPB Pocket Programmer	UPP20
For Indoor Use Only	

