

**TROUBLESHOOTING**

PROBLEM	PROBABLE CAUSE	SOLUTION
Master switch is wired properly but has no power. (LED indicator is OFF)	Air gap power disconnect may be disengaged (pulled out).	Push light pipe (indicator) back into position flush with faceplate assembly housing.
Master switch actuator doesn't turn load ON and/or OFF. (LED indicator is ON)	3-way remote switch actuator may be binding, causing the switch to be stuck ON or OFF.	Loosen mounting screws on remote switch and/or wallplate to relieve pressure on housing.
	Actuator faceplate may not be seated properly on the switch body.	Exercise actuator several times to ensure proper seating and operation.
Rocker sticks or doesn't actuate properly when pressed.	Mounting screws may be too tight or j-box may be deformed, causing the switch body to warp.	Loosen mounting screws to relieve pressure on the switch housing.
	Actuator springs may have backed out of their correct location during shipping.	Reseat the springs: place the faceplate face-up on a flat surface, then press down on both sides of each rocker at the same time.
Switch runs hot when dimming the load.	Switch is overloaded.	Reduce the power load by removing bulbs from the circuit.
	Switch is dimming a load that is not rated for use with incandescent dimmers.	Reconfigure the switch for ON/OFF operation with no dimming (using UPStart, for example).

**UPB FACTORY DEFAULT SETTINGS**

To restore the following default settings, place the US11-30 in SETUP mode and tap any actuator exactly 10 times. The indicator will continuously blink RED. Tap the actuator twice again to exit SETUP mode.

Network Name	"Network 1"
Room Name	"New Room Name"
Device Name	"New SA US1/US2"
Unit ID	22
Network ID	255
Network Password	1234
Transmit Link	1
Receive Links	1 (ON) and 2(OFF)

**POWER DISCONNECTION**

To physically disconnect power to the connected lamp fixture, depress the top of the rocker switch, grab the underside of the clear plastic indicator tab with your fingernail, pull the tab out about 0.05", then push the tab down to lock it in place. The indicator will extinguish to show that power is now disconnected. To reconnect power, simply push the tab up and it will snap back into its normal position.



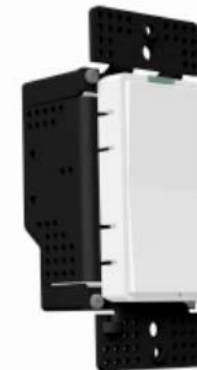
**UPB Standard Dimming Transceiver Switch Model US11-30 Universal Dedicated Remote Model USR**

Provides ON/OFF and dimming control for:

- Incandescent lighting
- Magnetic low-voltage lighting
- Halogen lighting

**IMPORTANT!**  
**Read This Before Installing!**

- **This incandescent dimmer cannot be used to dim FLUORESCENT, ELECTRONIC LOW-VOLTAGE or METAL HALIDE lighting, unless specifically allowed by the lighting manufacturer. Please see instructions to configure this product for ON/OFF operation with these types of lighting.**
- **DO NOT WIRE HOT! Permanent damage may result. Improper installation voids the warranty.**



Model US11-30 shown with actuator faceplate

**FUNCTION**

The SimplyBrilliant™ UPB Dimming Transceiver Switch, model US11-30, allows remote control of permanently-installed new or existing lighting fixtures, lamps and other electrical devices. Each unit has one rocker switch that directly controls a load up to 900W (see Table 1). Incandescent lamps can be turned ON or OFF, and can also be dimmed and brightened. The US11-30 can be configured to turn other types of non-dimmable loads ON and OFF. The switch may also act as a transmitter that can communicate with other UPB devices, either individually or collectively for lighting scenes.

**IMPORTANT SAFETY INSTRUCTIONS**

When using electrical products, basic safety precautions should always be followed, including the following:

1. READ AND FOLLOW ALL SAFETY INSTRUCTIONS.
2. REMOVE YELLOW "INSTALL WITH CARE" LABEL BEFORE INSTALLING.
3. Installation should be performed by a qualified electrician.
4. Keep away from water. If product comes into contact with water or other liquid, disconnect immediately.
5. Never use products that have been dropped or damaged.
6. Do not use this product outdoors.
7. Do not use this product for other than its intended use.
8. Do not connect multiple lamps that, when combined, exceed the maximum load rating of the product, de-rated for multi-gang boxes.
9. Do not install in areas that can exceed 120°F (e.g., in an attic).
10. To avoid the risk of overheating and possible damage to other equipment, do not use this product to control a receptacle.
11. Do not cover the product with any material when in use.
12. SAVE THESE INSTRUCTIONS.

**INSTALLATION**

The SimplyBrilliant™ UPB Dimming Transceiver Switch (US11-30) is designed to be installed in a junction box that is wired to a readily accessible over-current protection device in the building wiring per NEC and CEC electrical codes.

**CAUTION:** The default switch configuration operates as a dimmer for incandescent lamps. It will also dim magnetic low-voltage and halogen lamps. To control fluorescent, electronic low-voltage or metal halide lamps, or motor-operated appliances, transformer-supplied appliances or fans, the switch must be reconfigured for ON/OFF operation (no dimming) prior to use. Refer to the section on Configuration.

**CAUTION:** DO NOT WIRE THIS DEVICE WITH POWER CONNECTED. Injury or permanent damage to the device may result. Improper installation voids the product warranty.

1. Locate the existing wall switch for the lighting to be controlled. Note that the lamp rating (or the combined rating of all connected lamps) must not exceed what is shown in the de-rating table below.

Table 1: Power per Dimmer	Number of J-box Gangs	Number of Load Dimmers in J-box		
		1	2	3+
	1	600W	--	--
	2	800W	500W	--
	3+	900W	700W	500W

2. Disconnect power at the circuit breaker.
3. Remove the existing wall switch hardware. Disconnect wires to the switch.
4. Remove the yellow "INSTALL WITH CARE" label, if present.
5. Using a wire nut, connect all white (Neutral) wires together.
6. Using a wire nut, connect the brown (load output) wire of the US11-30 to the black wire of the device to be controlled.
7. IF THIS IS TO BE A 3- OR MORE-WAY INSTALLATION, use a wire nut to connect the brown/white wire to the traveler wire that extends to the slave switch. If there is a second slave and a second traveler, use a wire nut to connect the red/white traveler to the wire that extends to the second slave switch location. Refer to the wiring diagrams on pages 3 and 4.
8. Using a wire nut, connect the black (Line) wire of the switch to the black (Line) power wire.
9. Mount the switch inside the J-box using captive screws. DO NOT OVER TIGHTEN THE SCREWS.
10. Reconnect power at the circuit breaker.

**REMOTE SWITCH INSTALLATION**

To install a USR Dedicated Remote switch for 3- or more-way control:

1. Locate the remote switch connected to the master wall switch.
2. Disconnect power at the circuit breaker.
3. Remove the existing wall switch hardware. Disconnect the wires to the existing 3-way switch.
4. Using a wire nut, connect the white (Neutral) wire of the USR to the white (Neutral) power wire.
5. Using a wire nut, connect the brown/white wire of the USR to the traveler wire that extends to the master switch.
6. For dual-remote configuration, connect the red/white wire to the traveler wire that extends to the second master switch.
7. **OPTIONAL:** Using a wire nut, connect the brown wire (black on some models) of the USR to the switched load wire or to the black (Line) power wire. This only powers the LED indicator. If connected to the switched load wire, the LED will illuminate when the load is ON. If connected to line power, the LED will always be ON. If capped with a wirenut, the LED will always be OFF
8. Cap off any unused wires to prevent shorting.
9. Mount the switch inside the J-box using existing screws. **DO NOT OVER TIGHTEN SCREWS.**
10. Reconnect power at the circuit breaker.

**CONFIGURATION**

Configuration requires UPB setup/configuration software and a model UMC Computer Interface Module. Download the latest version of UPStart Configuration software from the Simply Automated website.

The US11-30 default settings assume a ZS11 (single rocker) faceplate. **The device will not operate correctly with any other model of faceplate.** The US11-30 must be properly configured using UPStart, this is done by selecting the US11 Single Rocker faceplate "variant" when adding the device to the network.

**SETUP MODE**

When configuring a UPB system, it is often necessary to place the US11 in SETUP mode in order to initiate self-identification on the powerline. To place the US11 in SETUP mode, tap any rocker / pushbutton exactly 5 times consecutively. The LED indicator will continuously blink GREEN when the unit is in SETUP mode. To exit SETUP mode and enter NORMAL mode, tap the rocker/pushbutton twice again.

**OPERATION**

Unless otherwise configured, rocker actuator behaves as follows:

Rocker Event	Dimmer Action	
	Top Rocker	Bottom Rocker
Single-Tap	Brighten to 100% at Def. Rate	Fade to 0% at Def. Rate
Double-Tap	Snap to 100%	Snap to 0%
Hold	Start brightening to 100% at Default Rate	Start fading to 0% at Default Rate
Release	Stop brightening and hold current level	Stop fading and hold current level

1. By linking a transmitting switch to a UPB Receptacle, Appliance Module or Fixture Relay Module, the connected load can be turned ON by tapping the top of the rocker and OFF by tapping the bottom of the rocker.
2. By linking a transmitting switch to a UPB Lamp or Fixture Dimmer Module, the connected load can be controlled according to the table above.

**INSTALLING/CHANGING FACEPLATES**

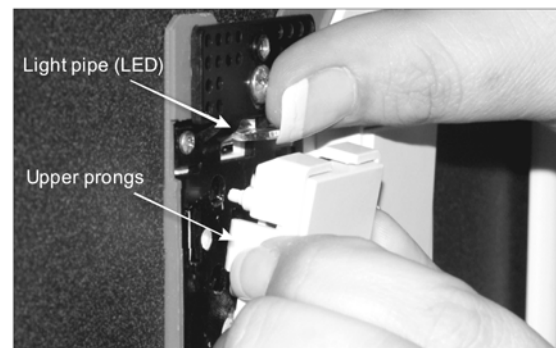
SimplyBrilliant Dimming Wall Switches are designed with removable actuator faceplates, making it possible to change color in the field without disconnecting the switch from the wall.

**To install a faceplate assembly, do the following:**

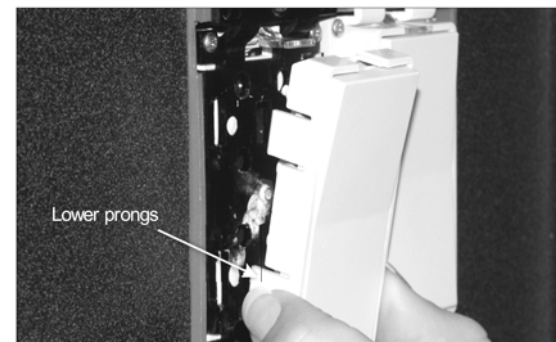
1. Hold the rocker faceplate assembly so that clear plastic light pipe (LED) on the switch fits nicely into the recess on the top of the rocker.
2. Align the four prongs on the rocker assembly with the four slots on the switch body.
3. While squeezing the prongs on both sides, press the rocker faceplate assembly into the switch body. Ensure that all four prongs are fully inserted and latched into the switch body. If all four prongs are not fully latched, the rocker plungers may not function properly.
4. Exercise rocker actuator several times in both directions to ensure proper seating and operation

**To remove the faceplate assembly to upgrade functionality or to change color, do the following:**

1. Remove the wall plate from the switch.
2. Using the thumb and index finger, press the top two prongs of the rocker faceplate assembly inward so that they unlatch from the switch body AND at the same time, using your thumbnail, slightly lift up the clear plastic light pipe. This will release the top of the rocker assembly.

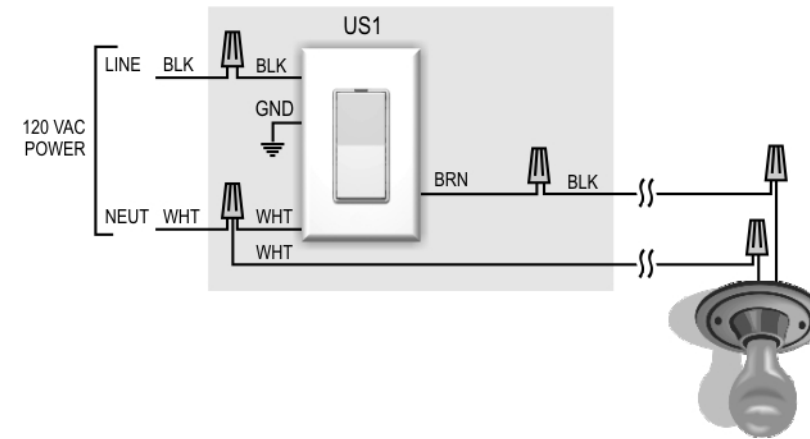


3. Press the two lower prongs inward, and pull the faceplate assembly away and slightly downward from the switch body, moving it away from the clear plastic light pipe.



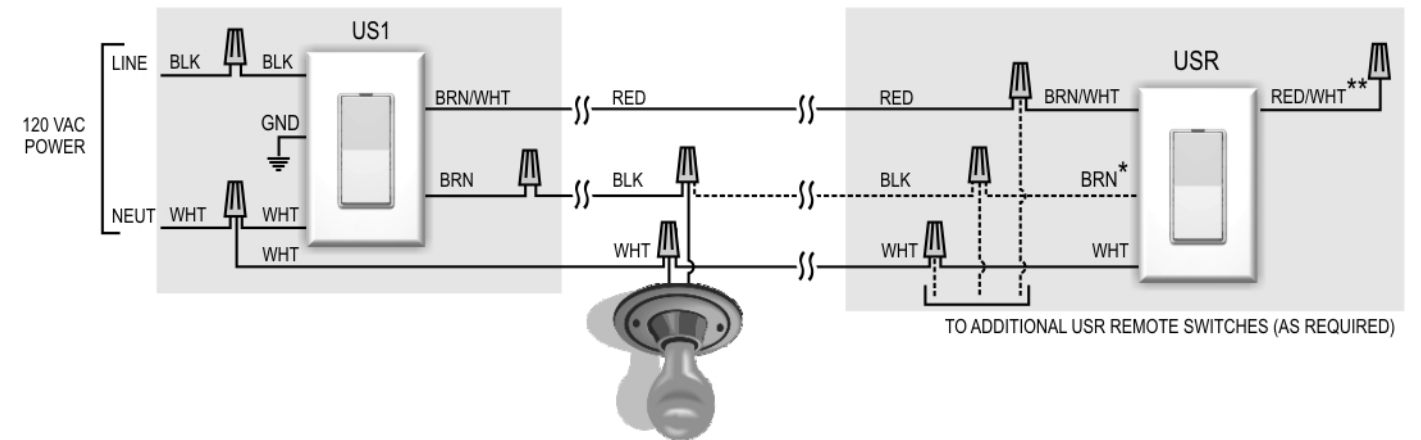
4. Once the old rocker faceplate is removed, follow steps 1-4 above for instructions on installing a new rocker faceplate assembly

**STANDARD 2-WAY INSTALLATION**



**STANDARD 3-WAY (OR MULTI-WAY) INSTALLATION**

This diagram shows a 3-way wiring configuration in which a USR remote switch controls the load connected to a US1 or US2 switch. Additional USR remote switches may be added in parallel for multi-way control.



**NOTES:**

- \* CONNECT THE BROWN WIRE OF THE USR (BLACK ON USR-40) AS SHOWN TO ENABLE OPERATION OF THE LED INDICATOR. THIS WIRE IS NOT REQUIRED FOR SWITCH OPERATION AND CAN BE OMITTED IF A THIRD WIRE IS NOT AVAILABLE. CAP BLACK (or BROWN) WIRE IF NOT USED.
- \*\* CAP UNUSED BRN/WHT AND/OR RED/WHT WIRES TO PREVENT SHOCK OR SHORTING