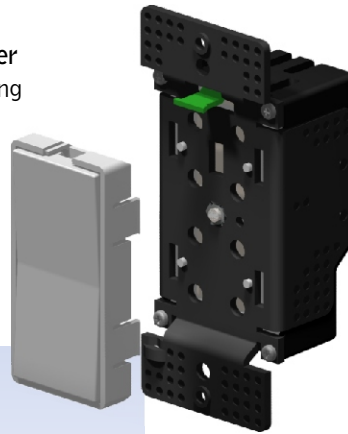
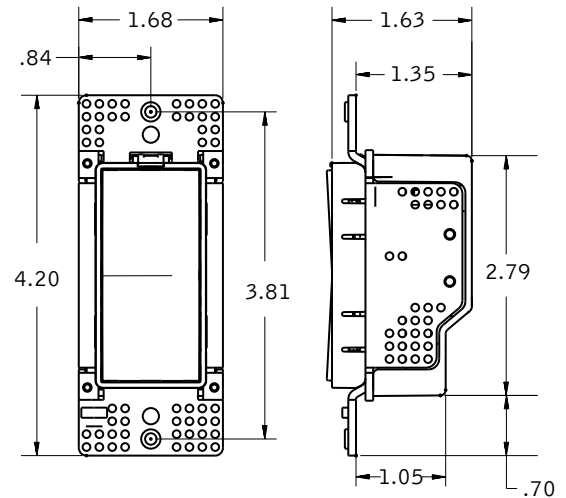


**SimplyBrilliant™ US11-30 UPB Dimming Transceiver Switches** provide ultra-reliable control of new and existing lighting fixtures, lamps, fans and other electrical devices. Each unit has one switch that controls a load of up to 900W, and acts as a transceiver to communicate with Universal Powerline Bus (UPB) plug-in modules, fixture modules and/or other devices to control virtually anything that can be connected to existing wiring anywhere in the home.



### Dimensions



### Advantages of UPB

- **No new wires**
  - ▶ Communicates over existing power lines
- **UPB technology delivers...**
  - ▶ Exceptional reliability and noise immunity
  - ▶ Lowest installed cost compared to hardwired and RF solutions
  - ▶ No interference between adjacent homes
- **Easily reconfigurable - change control strategy without rewiring**

### Features

- **Interchangeable rocker assemblies**
  - ▶ Change color in the field
  - ▶ Reduce inventory costs
- **True rocker action**
  - ▶ Both ON/OFF and dimming capabilities
- **Thinner depth profile allows easy installation**
- **Patent-pending contoured heat sink**
  - ▶ Delivers cooler operation
- **200 dimming steps and Resume Dim**
- **Dedicated Remote Switch** (Model USR)
  - ▶ Provides inexpensive 3 or more-way control
- **Max Load:** 900W
- **Standard Colors:** White (W), Almond (A), Ivory(I), Black (BK), Brown (BN)

### Specifications

- Power:** 120VAC +/- 10%, 60Hz  
**Max Load:** 900W at 120VAC (7.5A)  
 (see below for derating details)
- Connections:** 6" stranded pigtails, #16 AWG for power/load, #20 AWG for multi-way traveler(s)
- Wiring:**
- |           |                   |
|-----------|-------------------|
| Black     | AC Line           |
| White     | AC Neutral        |
| Brown     | Load (to fixture) |
| Brn / Wht | Traveler 1        |
| Red / Wht | Traveler 2        |
- Operating Temperature:** 30-120°F (0-50°C)
- Physical:**
- Dimensions:** 4.2"H x 1.7"W x 1.6"D (107 x 43 x 41mm)  
 depth inside J-box = 1.35"
- Weight:** 3.8 oz (108g)
- Mounting:** standard J-box

Prices and specifications are subject to change without notice.

### Ganging and Derating

	# of j-box Gangs	# of Dimmers in j-box		
		1	2	3+
	1	600W	--	--
	2	800W	500W	--
	3+	900W	700W	500W



**Home Automation Made Simple.**

## Simply Automated, Incorporated

5825 Avenida Encinas, Suite 101, Carlsbad, CA 92008 USA  
 800-630-9234 • Office 760-431-2100 • Fax 760-431-2101  
 sales@simply-automated.com www.Simply-Automated.com