



SAM-DSL

DSL filter module, eliminate the need for filtering at each jack locations

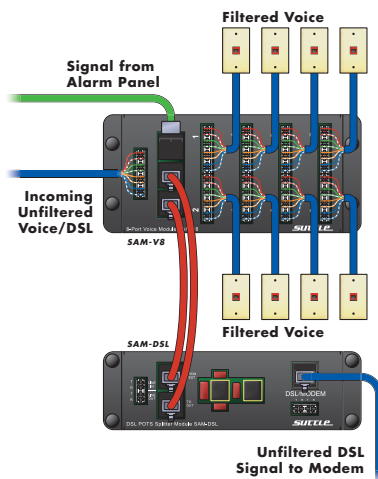
Product Description

The DSL filter module allows homeowners to split the phone and data signal with one centrally based filter rather than unsightly DSL filters at every phone outlet location. Filtering isolates telephone equipment impedance that interfere with ADSL communications.

With the SAM-DSL, the phones are wired as normal however, the "TEST" and "OUT" are patched to run filtered signal to the outlets and unfiltered signal to the "DSL/MODEM" jack. Then simply connect the DSL/MODEM jack or IDC to the modem. If DSL service is using a line other than line 1, the SAM-DSL provides an alternative method of wiring.

Specifications

REN4B(ac) or in ACTA terms "04B"
DC Loop Current	0 to 100 mA
DC Loop Voltage (tip to ring)	0 to -60 Vdc
Ringing Signals	103 Vrms superimposed on the DC Loop Voltage 20 to 30 Hz
DC Resistance	< 25 ohms, POTS tip-to-ring with Line port (U-R) shorted
Insertion Loss	< 1.0 dB; Z _{Tc} = 900, Z _{Tr} = 600, 1004 Hz
Longitudinal Balance (2-port)	> 58 dB; 200 - 1.0 kHz
POTS to Line port (U-R) and back	straight line from 58 dB @ 1 kHz to 53 dB @ 3.0 kHz with bias of 25mA DC
Tip-to-Ring Capacitance, POTS port	20 < C < 115 nF; 20 to 30 Hz
Capacitance to Ground, POTS port	< 1.0 nF; 20 to 30 Hz
ADSL Band Attenuation	> 65 dB; 30 - 300 kHz, Z _{Tr} = 600 > 55 dB; 300 - 1104 kHz, Z _{Tr} = 600
Input Impedance	< 0.25 dB; 30 to 1104 kHz, Z _{Tr} = 600
Dimensions	1.5"H x 6.5"W x 1"D
Safety	cULus, FCC approved



Features

- Filter all lines with one central filter
- Easy to install, just patches into the existing phone distribution module (SAM-V8, SAM-VE, or SAM-DP9)
- Accommodates filtering of any line
- RJ45 or 110 unfiltered output to modem