



SAM-VX10

4-line to 10-port expansion module, two RJ45 jumpers included

Features

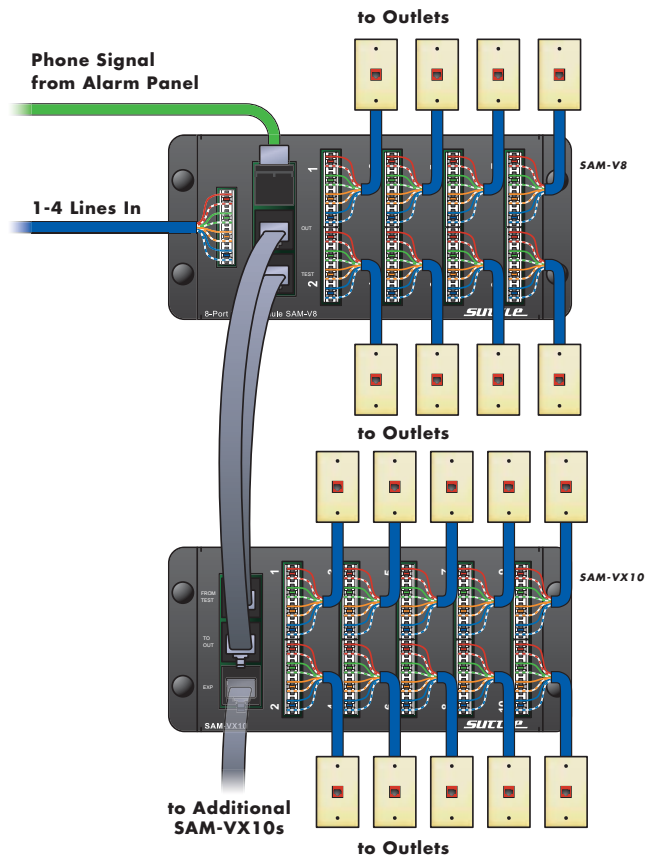
- Makes adding outlets simple and easy
- Allows for expansion to additional SAM-VX10s

Product Description

The 10-port Voice Expansion Module bridges 4 lines from SAM-V8, SAM-VE, or SAM-DP9 to an additional 10 outputs (110 IDC blocks). The SAM-VX10 is expandable to additional SAM-VX10s if needed. This expansion module is bridged from the SAM-V8, SAM-VE, and the SAM-DP9 modules using two RJ45 patch cords (included).

Specifications

Input	Up to 4 lines via RJ45 Input
Output	4-pair 110 IDC to 10 Outlets One RJ45 output to feed back into original module One RJ45 expansion output
Wiring	T568A
Dimensions	3"H x 6.5"W x 1"D
Safety	cULus



Specifications subject to change without notice. Copyright 2006. Original: 06/06